

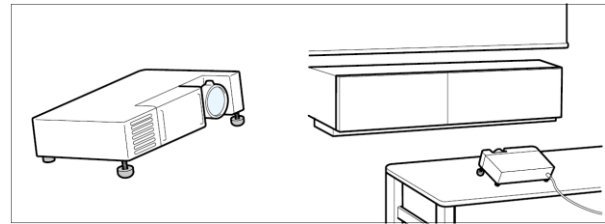
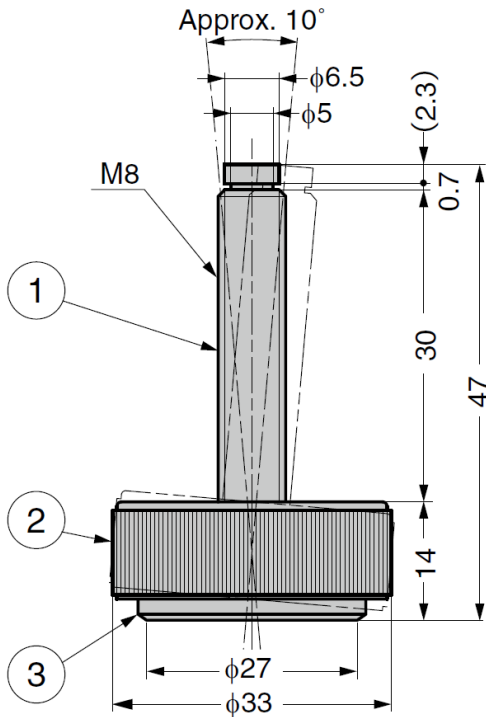
## GMKR-N32D Levelling Glide (With Swivel)

### Features

- Swivels approximately 10° to compensate for uneven floors
- With swivel function to distribute the load evenly for excellent durability
- Base with knurled outer periphery for easy installation
- Double structure of cover/bolt and base allow easy height adjustment without lifting the leg
- Levelling glide with elastomer base to prevent from skidding and scratching the floor

### Notes

- If the levelling glide can not be turned by hand, slightly lift it to adjust



No.	Part Name	Material	Finish/Colour
①	Body	Steel (SWCH)	Chrome
②	Cover	PA	Dark Grey
③	Base	Elastomer (TPE)	Black

Part No.	Colour	Load Capacity (per piece)	
GMKR-N32DG32	Dark Grey	454 N	46 kg